

Vehicle Return Report

Rental Agreement/Lease Agreement No. {LCTR_LCTRNR}
 Service Agreement No. {LCTR_LCTRNR}

Athlon Car Lease Polska sp. z o.o.
 142A Jerozolimskie Avenue
 02-305 Warsaw ("Athlon")

{LCTVER_RELATIE_NAAM}
 {LCTVER_RELATIE_ADRES}
 {LCTVER_RELATIE_VPOSTCODE}
 {LCTVER_RELATIE_PLAATS}
 ("Customer")

1. Vehicle return confirmation:

Athlon declares that at the place, date and time specified below, it has collected the Vehicle from the Customer, represented by the User, in accordance with the specification below. This Vehicle Return Report specifies an initial assessment of the Vehicle's condition, a detailed Vehicle Technical Assessment Report will be sent to the Customer. The User, authorized by the Customer to return the Vehicle, declares that his/her authorization has not been revoked or expired.

Vehicle return place	
Return date	
Return time	

2. Vehicle:

Registration number {LCTR_OBJ_KENTEKEN}
 Made {LCTR_OBTP_MERK}
 Model (type) {LCTR_OBTP_MODEL}
 VIN number {LCTR_OBJ_CHASSISNR}
 Year of production _____
 Chassis number _____
 Odometer reading (km) _____
 Number of key sets (cards) _____
 Number of alarm keyfobs _____

Document set:

- MTPL policy certificate
- Fuel card (number) _____
- Instruction manual
- Guarantee book
- Vehicle registration certificate
- Registration plates

Equipment:

- Warning triangle
- Fire extinguisher
- Toolkit
- Car jack
- First aid kit

3. Accessories:

- Rims
- Temporary spare wheel
- Mats
- Radio
- Antenna
- Alarm
- Handsfree set

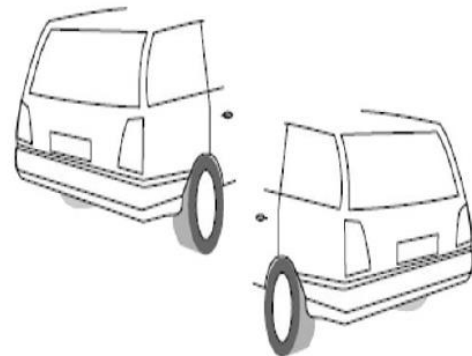
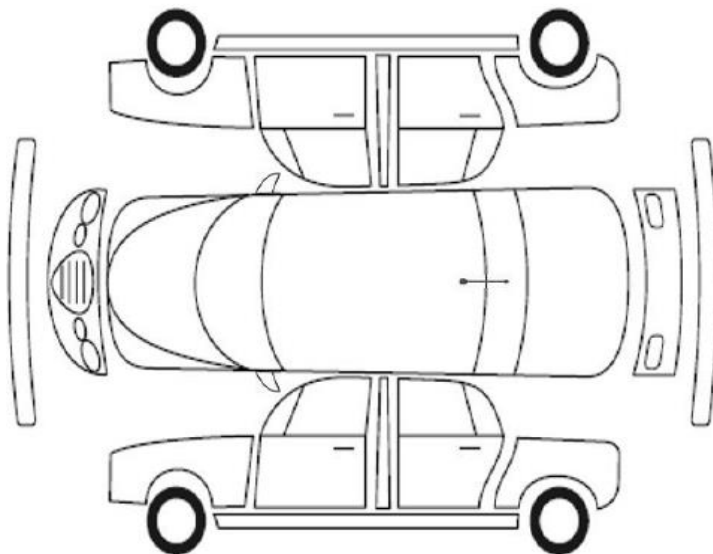
4. Vehicle condition description:

During the visual inspection of the vehicle, the found/noticed damages should be marked on the attached drawings according to the symbols presented below:

- Z - Scratching/Scratch
- P - Crack
- W - Dent
- R - Rust
- O - Chipping
- U - Serious damage

W czasie dokonywania oględzin pojazdu należy zaznaczyć na załączonych rysunkach stwierdzone/zauważone uszkodzenia wg oznaczeń przedstawionych poniżej:

- Z - Zarysowanie/Rysa
- P - Pęknięcie
- W - Wgniecenie
- R - Rdza
- O - Odprysk
- U - Uszkodzenie poważne



5. Vehicle interior description:

W - dent, **WP** - burnout, **R** - tear, **PL/B** - stain/dirty, **Z** - scratching/scratch, **P** - crack, **U** - damage

- | | | | |
|---|---|--|--|
| <input type="checkbox"/> dashboard | <input type="checkbox"/> passenger seat | <input type="checkbox"/> door panel RF | <input type="checkbox"/> boot floor |
| <input type="checkbox"/> middle panel | <input type="checkbox"/> rear seat | <input type="checkbox"/> door panel LF | <input type="checkbox"/> boot shutter |
| <input type="checkbox"/> steering wheel | <input type="checkbox"/> 3rd row of seats | <input type="checkbox"/> door panel RR | <input type="checkbox"/> mats |
| <input type="checkbox"/> driver's seat | <input type="checkbox"/> headlining | <input type="checkbox"/> door panel LR | <input type="checkbox"/> boot interior |

6. Tyre condition description:

Rim type: Steel Aluminium Hubcaps
Tyre type: Winter Summer

	Make	Size	Condition
Front			
Rear			

7. Vehicle notes:

(e.g. body condition - clean / dirty, oil leaks, uneven engine running)

Athlon Car Lease Polska Sp. z o.o.:**Customer:**

(signature of the User authorized to collect
the Vehicle on behalf of the Customer)